



FIELDWALLPADS.com



**20
25**





IF YOU CAN IMAGINE IT...WE CAN MAKE IT!

We have been making the highest quality outfield and backstop wall pads since 1987. That's our philosophy, no matter how simple or complex your needs may be. If your project requires custom configuration, additional fastening strength, or an innovative product design, our experienced sales staff, designers and installers can help. We'll make the padding system under one roof in our Iowa factory, to your specifications, ready to be installed at your job site.

Our entire product line is manufactured under one roof in a quality-controlled environment, which is a unique benefit in the industry. Our precision fabrication expertise means that you and your clients are assured superior, water-tight, protective padding that will last for years.

TABLE OF CONTENTS

DIGITAL PRINTING	pg. 3
OUTDOOR STADIUM PADDING	pg. 4
CHAIN LINK APPLICATION	pg. 5
SOLID WALL APPLICATION	pg. 6
FRICTION FIT PLUG PADDING	pg. 7
ANGLE IRON FENCE APPLICATION	pg. 8
RE-WRAP APPLICATION	pg. 9
RAIL & POST PADDING	
WOOD-BACKED FENCE POST PADS	pg. 10
GUARD RAIL PADS (round)	pg. 11
GUARD RAIL PADS (sewn)	pg. 12
SEWN FENCE POST PADS	pg. 13
ACCORDION GATE PADS	pg. 14
DUGOUT RAIL PADDING	
PREMIUM WOOD-BACKED DUGOUT RAILS	pg. 15
REMOVABLE DUGOUT SKINZ	pg. 16
COLUMN PADDING	pg. 17
GOAL POST PADDING	pg. 18
INDOOR WALL PANELS	pg. 19
2" INDOOR PANEL (Top Nailer)	pg. 20
2" INDOOR PANEL CLASS A (Top Nailer)	pg. 21
2" & 3" INDOOR PANEL CLASS A (Z-Clips)	pg. 22
3" INDOOR PANEL (Z-Clips & OSB)	pg. 23
3" INDOOR PANEL CLASS A (Z-Clips & OSB)	pg. 24
2" INDOOR PLYO WALL PANELS	pg. 25

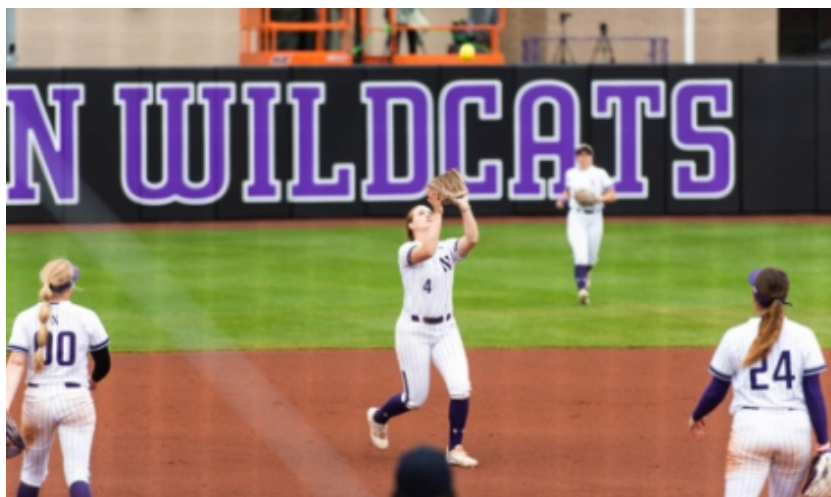


FIELDWALLPADS.com

6-color PLUS WHITE printer **The industry's gold standard!**

Fieldwallpads.com boasts a digital printing process that will impress you, whether you want team logos or sponsor advertisements on your padding. Durable UV curable inks let us print your artwork directly onto the vinyl fabric. You will get a brilliant image that doesn't peel or tear like a decal. Our designers can take an existing design or create something that will amaze you. All printing is done in-house, under the same roof that manufactures your pads.

- 6-color PLUS WHITE printing process
- Can print on ANY color of vinyl padding
- No peeling or tearing like a decal
- Printed under the same roof as manufacturing
- FREE design mock-ups and revisions until you're happy!





FIELDWALLPADS.com

Stadium Padding by Fieldwallpads.com are designed for safety & durability!

- 3/4" sealed exterior plywood
- 3" high-impact foam
- 18 oz. vinyl with stainless steel staples
- UV, water, and mildew resistant vinyl!

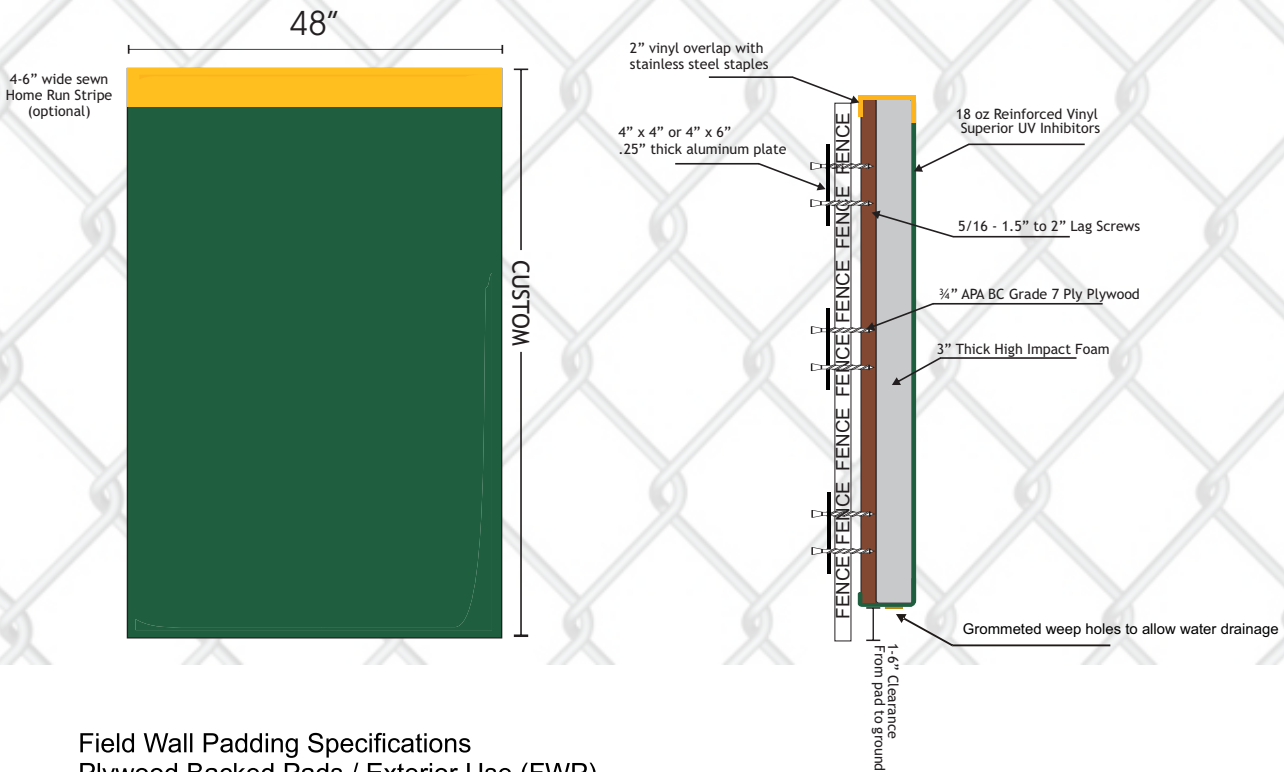


STADIUM PADDING



SPECIFICATIONS

Field Wall Pad (FWP) - Chain Link Fence application



Field Wall Padding Specifications
Plywood Backed Pads / Exterior Use (FWP)

Backing: 3/4 inch APA BC exterior grade 7 ply plywood, primed on edges and backside. Exposed plywood surface is painted to match vinyl color when exposed to view.

Vinyl Covering: 18 oz. per sq. yard laminated vinyl, unbalanced coating. Fabric: 1000 Denier Polyester Basic Fabric, Tear Strength Test: Warp 100 lbs., Fill 315 lbs., Tensile Strength: Warp 300 lbs., Fill 300 lbs., Weft Insertion: 18x17, Superior UV inhibitors, Cold Crack: Minus 40 degrees Fahrenheit. Colors per manufacturer's standard selection, as selected by Architect. Vinyl cover is wrapped around the backside of plywood and stapled every 3" with stainless steel staples. Each pad has 3 weep holes to evacuate moisture. 10 mils top x 4 mils bottom.

Filler Foam: 3" thick High-Impact Foam. Filler foam is glued to plywood backing.

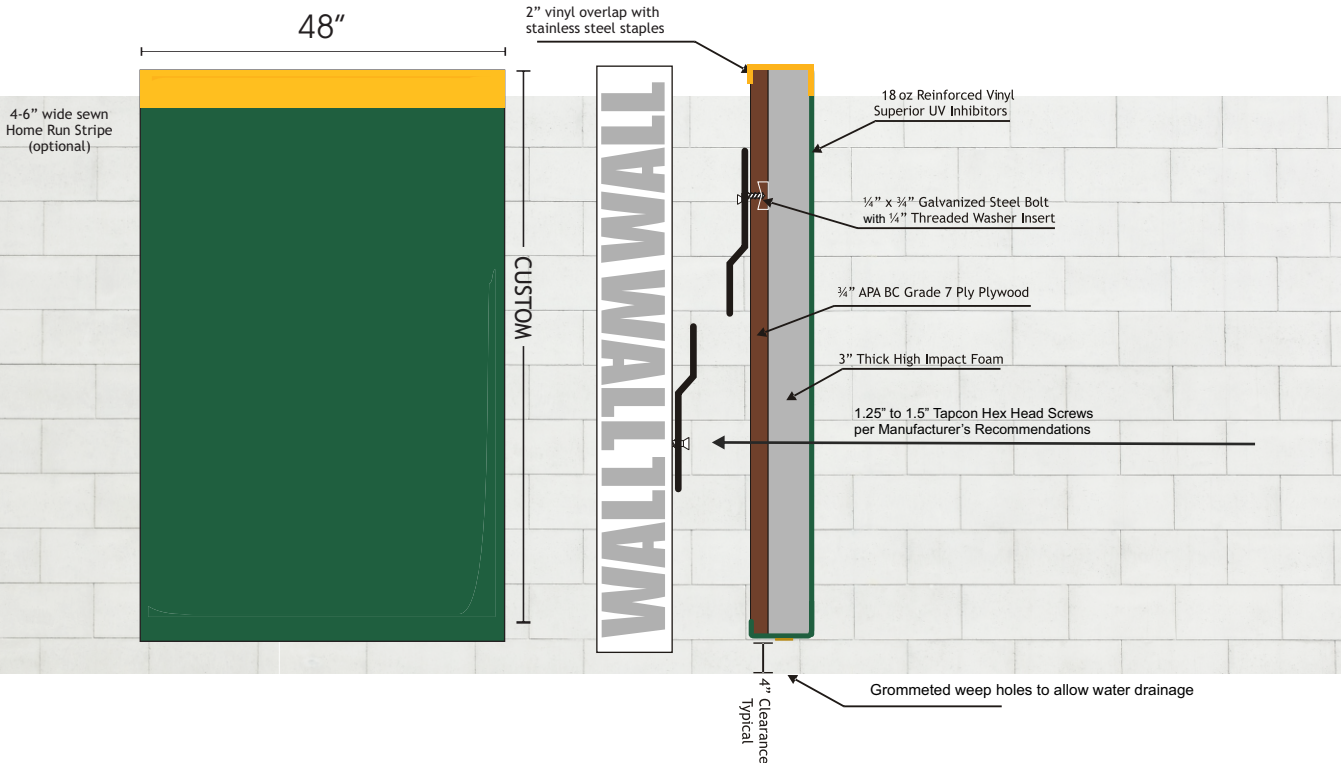
Adhesive: Synthetic Elasto Meric Adhesive, High Flexibility Factor, Water Resistant, Heat & Cold Resistant, High Bonding Factor.

Attachment: 4" x 4" or 4" x 6" PE HD square and round plates with lag screws.



SPECIFICATIONS

Field Wall Pad (FWP) - Masonry/Concrete/Wood z-clip application



Field Wall Padding Specifications
Plywood Backed Pads / Exterior Use (FWP)

Backing: 3/4 inch APA BC exterior grade 7 ply plywood, primed on edges and backside.

Vinyl Covering: 18 oz. per sq. yard laminated vinyl, unbalanced coating. Fabric: 1000 Denier Polyester Basic Fabric, Tear Strength Test: Warp 100 lbs., Fill 315 lbs., Tensile Strength: Warp 300 lbs., Fill 300 lbs., Weft Insertion: 18x17, Superior UV inhibitors, Cold Crack: Minus 40 degrees Fahrenheit. Colors per manufacturer's standard selection, as selected by Architect. Vinyl cover is wrapped around the backside of plywood and stapled every 3" with stainless steel staples. Each pad has 3 weep holes to evacuate moisture. 10 mils top x 4 mils bottom.

Filler Foam: 3" thick High-Impact Foam. Filler foam is glued to plywood backing.

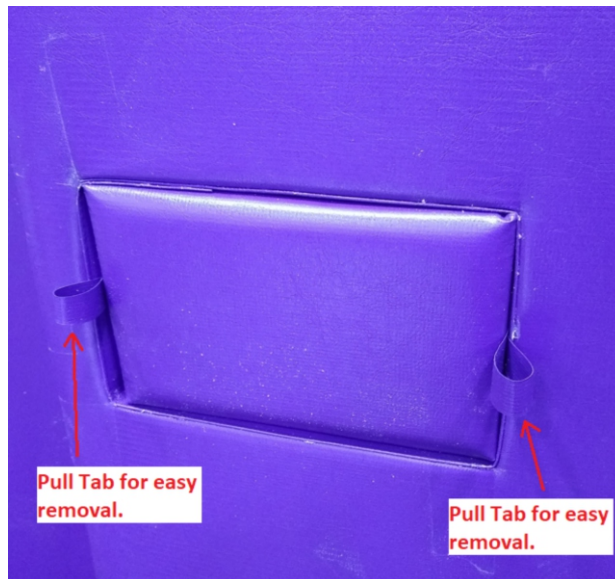
Adhesive: Synthetic Elasto Meric Adhesive, High Flexibility Factor, Water Resistant, Heat & Cold Resistant, High Bonding Factor.

Attachment: Z-Clip Aluminum extrusion, 2.75" x .125" thickness mounted to panel using 1/4" x 3/4" galvanized bolts screwed into 1/4" washer inserts.



SPECIFICATIONS

Friction Fit Plug Padding



Specifications:

Vinyl Covering: 18 oz. vinyl

Foam: 3" high-impact foam

Attachment: Plugs attach using a chain, which is wrapped in vinyl, to help avoid damage to existing pads. Chain attachment deters theft, as well.

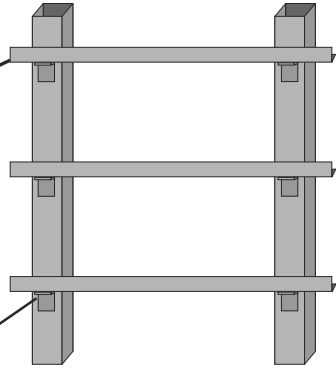
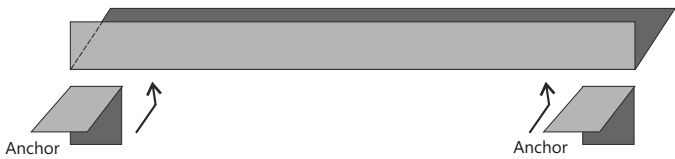
Pull tabs available for easy removal.



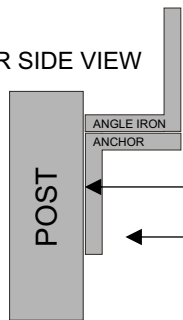
SPECIFICATIONS

Welded Angle-Iron Fence Application

ANGLE IRON FRONT VIEW



ANCHOR SIDE VIEW



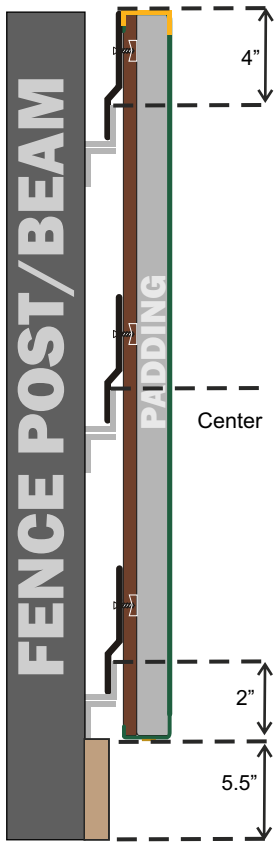
Main full-length horizontal angle iron on top, middle and bottom, when applicable.

anchors must be welded to horizontal angle iron.

anchors must be welded to post.

Custom cut piece of angle iron bracket (approximately the width of the post) flipped upside down and welded in place. This bracket is used to anchor all horizontal runs in fence build.

Weld the cut angle iron piece upside down to the post. Weld the main full length horizontal angle iron to each anchor bracket on posts.



NOTE:

4' Tall and lower will require a top and bottom horizontal run.
6' Tall and higher will require a top, middle and bottom horizontal run.

NOTE:

2" x 2" angle iron - 3/16" thick with vertical post at 8' on center.
3" x 3" angle iron - 3/16" thick with vertical posts at 8' and greater OC



Post structure without pads



Finished backside view



Finished side view



FIELDWALLPADS.com

Give your existing wall pads a fresh look!

Fieldwallpads.com offers you an alternative option to purchasing all new wall padding. If a fresh look is what you are after and the wall components (plywood and foam) are in good condition, you can purchase brand new vinyl and re-wrap your existing pads. Whether plain or printed, Fieldwallpads.com will measure and custom cut your vinyl and provide easy “do-it-yourself” instructions to re-wrap your pads and give your facility a brand new look, while saving on the budget.

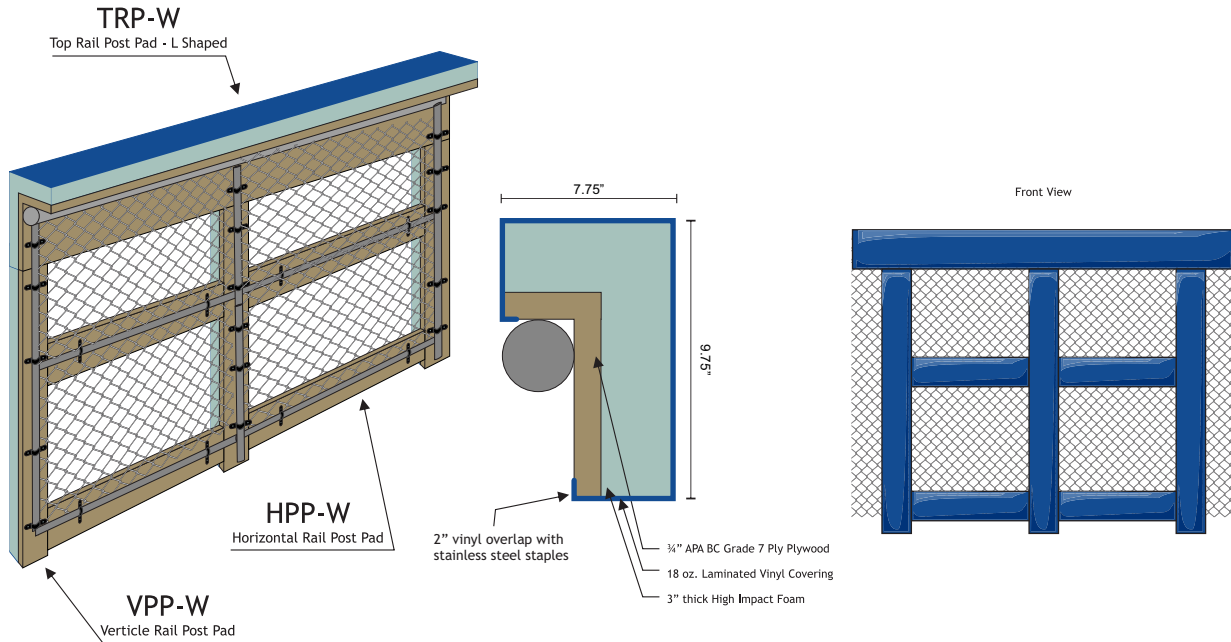


RE-WRAP OPTION



SPECIFICATIONS

Wood Backed Fence Post Pad TRP-W, VPP-W & HPP-W



TRP-W, VPP-W, HPP-W

Application: Chain Link Fence Post, Railings, Masonry and Wood Walls

Vinyl Covering: 18 oz. per sq. yard laminated vinyl, unbalanced coating. Fabric: 1000 Denier Polyester Basic Fabric, Tear Strength Test: Warp 100 lbs., Fill 315, lbs., Tensile Strength: Warp 300 lbs., Fill 300 lbs., Weft Insertion: 18x17, Superior UV inhibitors, Cold Crack: Minus 40 degrees Fahrenheit. Colors per manufacturer's standard selection, as selected by Architect. Vinyl cover is stitched using 6 lb. Bonded polyester Black thread.

Filler Foam for Fence Post and Top Rail Pads: 3" thick High Impact Foam

Attachment: Metal C clamps and/or J hook brackets. Friction fit or self tapping metal screws to secure in place

Backing: 3/4 inch APA BC exterior grade 7 ply plywood, primed on edges and backside. Exposed plywood surface is painted to match vinyl color when exposed to view.





SPECIFICATIONS

Guard Rail Pad GRP-RD



Specifications:

Vinyl Covering: 18 oz per sq. yard laminated vinyl, unbalanced coating. Fabric: 1000 Denier Polyester Basic Fabric, Tear Strength Test: Warp 100 lbs., Fill 315 lbs., Tensile Strength: Warp 300 lbs., Fill 200 lbs., Weft Insertion 18 x 17, Superior UV inhibitors, Cold Crack: Minus 40 Degrees Fahrenheit, Class A flame retardant. Colors per manufacturer's standard selection, as selected by Architect. Vinyl cover is stitched using 6 lb. Bonded polyester Black thread.

Filler Foam for Guardrail and Handrail Pads: 1" thick Polyethylene Foam, E84: 25/50 RATED R. VALUE 6.1

Attachment: 2-1.5" Vinyl flaps with #2 brass grommets every 6" O.C. Attached to rail using 14" nylon ties. 50 lb. Break.



SPECIFICATIONS

Guard Rail Pad GRP-S1



Specifications:

Vinyl Covering: 18oz per sq. yard laminated vinyl, unbalanced coating. Fabric: 1000 Denier Polyester Basic Fabric, Tear Strength Test: Warp 100 lbs., Fill 315 lbs., Tensile Strength: Warp 300 lbs., Fill 200 lbs., Weft Insertion 18 x 17, Superior UV inhibitors, Cold Crack: Minus 40 Degrees Fahrenheit, Class A flame retardant. Colors per manufacturer's standard selection, as selected by Architect. Vinyl cover is stitched using 6 lb. Bonded polyester Black thread.

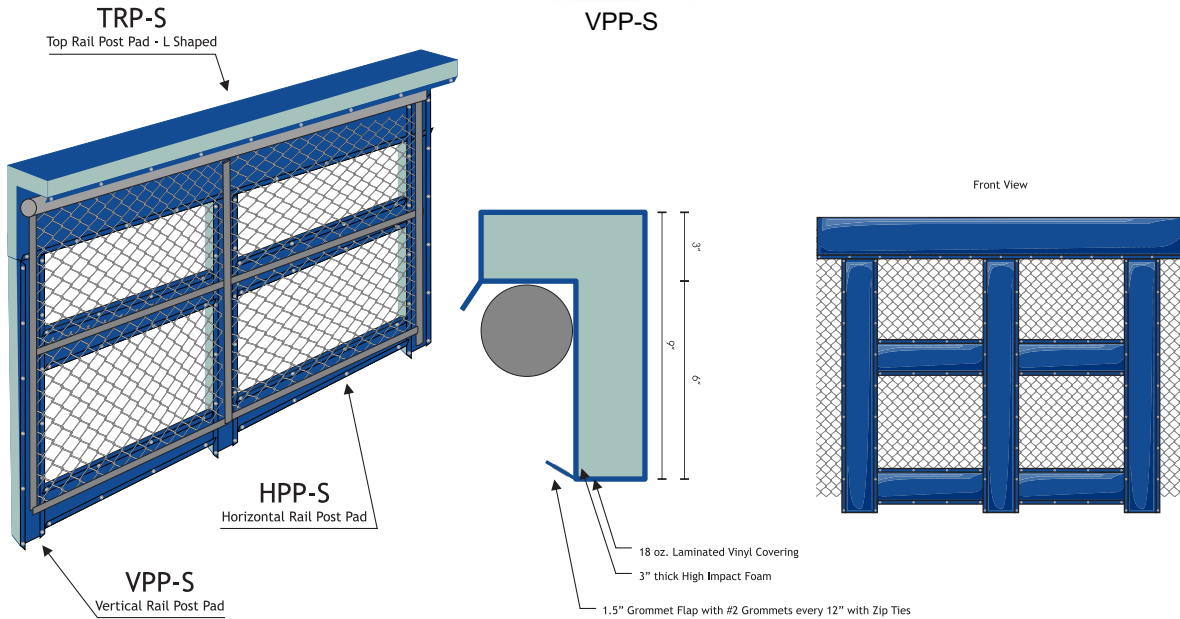
Filler Foam for Guardrail and Handrail Pads: 1" thick Polyurethane Foam, Density: 1.7-1.9 lb./cu ft., Indention Load Deflection: 81-99 lbs., Tensile Strength 20 psi min., Elongation: 100% min. Tear Strength: 1.50 lbs./LIN. min.

Attachment: 2-1.5" Vinyl flaps with #2 brass grommets every 6" O.C. Attached to rail using 14" nylon ties. 50 lb. Break.



SPECIFICATIONS

Sewn Fence Post Pad TRP-S, VPP-S & HPP-S



Top Rail (TRP-S)

Application: Chain Link Fence Post, Railings, Masonry and Wood Walls

Vinyl Covering: 18 oz. per sq/ yard laminated vinyl, unbalanced coating. Fabric: 1000 Denier Polyester Basic Fabric, Tear Strength Test: Warp 100 lbs., Fill 315, lbs., Tensile Strength: Warp 300 lbs., Fill 300 lbs., Weft Insertion: 18x17, Superior UV inhibitors, Cold Crack: Minus 40 degrees Fahrenheit. Colors per manufacturer's standard selection, as selected by Architect. Vinyl cover is stitched using 6 lb. Bonded polyester Black thread.

Filler Foam for Fence Post and Top Rail Pads: 3" thick High Impact Foam

Attachment: 1 1/2" Vinyl flap with #2 grommets every 12" O.C. Attached to fence using 14" nylon ties, 50 lbs. break.



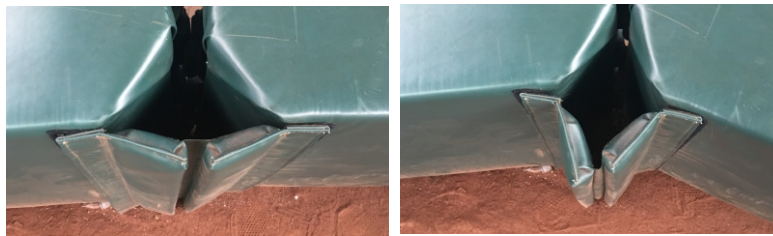
SPECIFICATIONS

Accordion Gate Pad

CONCAVE FOLD



CONVEX FOLD



Specifications:

Vinyl Covering: 18 oz. vinyl

Foam: 1" Polyfoam

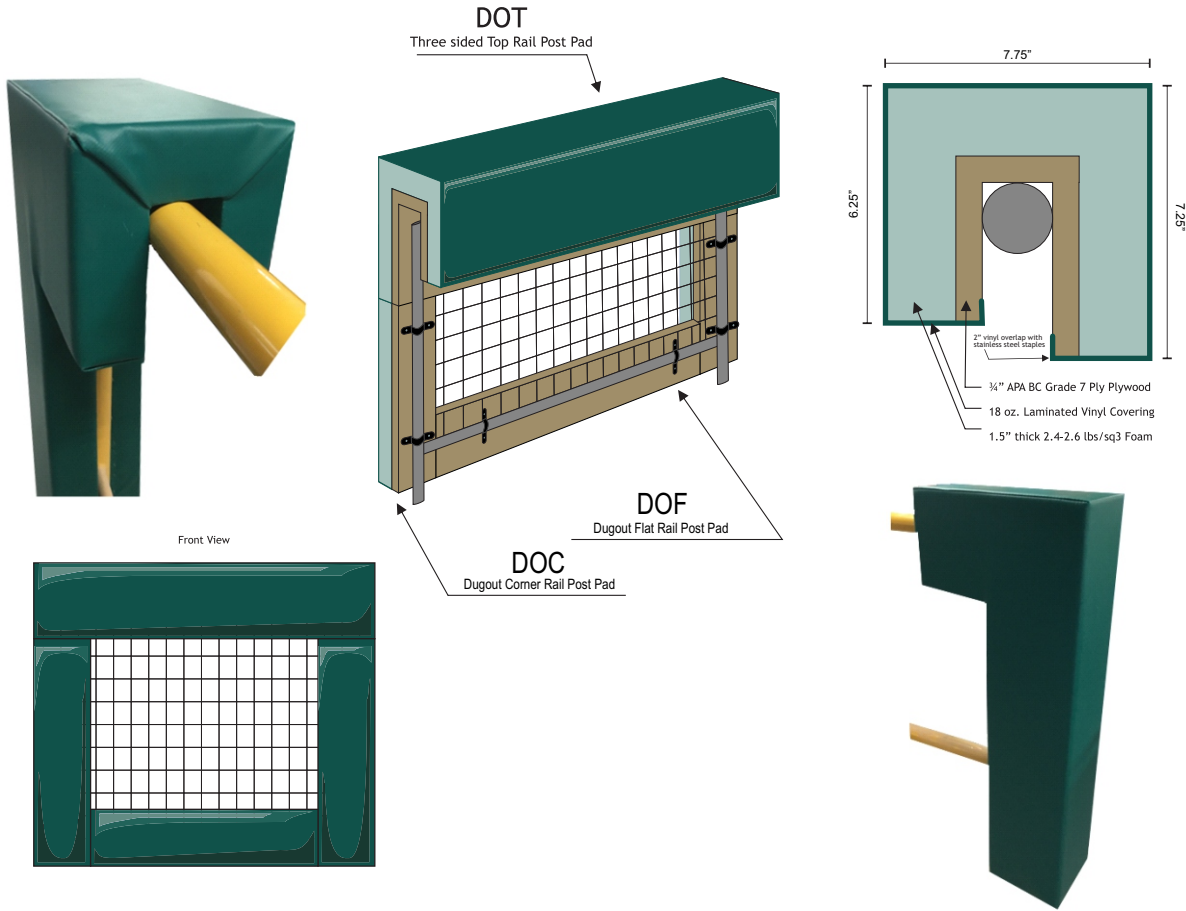
Attachment: 2" wide velcro strips sewn directly on the Accordion Pad edges, as well as, the wall pad.

Action: Both concave and convex folding action is available. Must specify (see images).



SPECIFICATIONS

Premium Wood Backed Dugout Rails DOT, DOF, DOC



DOT, DOF, DOC

Vinyl Covering: 18 oz. per sq/ yard laminated vinyl, unbalanced coating. Fabric: 1000 Denier Polyester Basic Fabric, Tear Strength Test: Warp 100 lbs., Fill 315, lbs., Tensile Strength: Warp 300 lbs. Fill 300 lbs., Weft Insertion: 18x17, Superior UV inhibitors, Cold Crack: Minus 40 degrees Fahrenheit. Colors per manufacturer's standard selection, as selected by Architect.

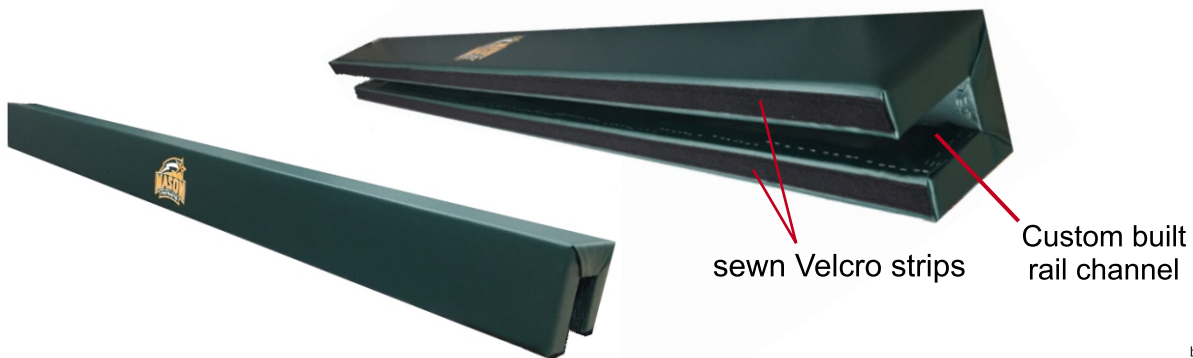
Backing: 3/4 inch APA BE Exterior grade 7 ply plywood, primed on edges and backside. Glue is waterproof and will not regenerate with water contact.

Filler Foam for Premium Wood Backed Dugout Rail Pads: 1.5" thick 2.4-2.6 lbs/sq3 Foam





SPONSOR & SPECIAL EVENTS DUGOUT SKINZ™



Whether hosting an event, adding a sponsor, changing logos or sharing a field, make changing the digital print on your dugout rails a breeze with Field Wall Pads by SportsGraphics. Our exclusive Velcro and premium wood-backed pad design makes it quick and easy to change the message on your top rails.

Truly enjoy all of the digital print options and freedom you gain with our removable skin covers. It only takes minutes to attach and remove.

Also, preserve and prolong the life of your investment...ask us about affordable protective top rail covers for the off season.



SPECIFICATIONS

Premium Column Padding



D-Ring Closures



J-Hooks



COMPONENTS:

Backing:

7/16"

Oriented strand board

Core:

2" 90 lb. ILD, 1.8 lb/ft³

Open cell polyurethane foam

Printing:

Silk-screen or Digital

Covering:

14 Oz.

Leatherlike laminated vinyl

FLAMMABILITY:

Core:

Meets or exceeds requirements of California Bureau of Home Furnishings Technical Bulletin #117 (CAL 117)

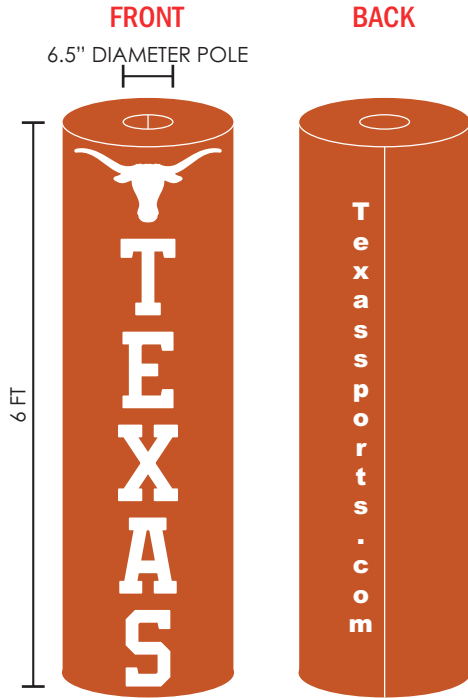
Covering:

14 Oz. Laminated Vinyl passes: Military Specification MILC43006E (Federal Standard 191-Test Method 5903-2), FMVSS-302, NFPA-701 (Small Scale Test), California State Fire Marshal (Small Scale), CPAI-84 (Tent Walls & Tops), FAR.25.853-B2; U.L.94: 94-VMT 0 1 2



SPECIFICATIONS

Premium Goal Post Pad GPP



Vinyl Covering: 18 oz. laminated vinyl, unbalanced coating. Fabric: 1000 Denier Polyester Basic Fabric. Tear strength test: Warp 100 lbs. Fill 315 lbs. Tensile Strength: Warp 300 lbs. Fill 300 lbs. Weft Insertion: 18x17, Superior UV inhibitors, Cold Crack: Minus 40 degrees F. Colors per manufacturer's standard selection, as selected by architect. Vinyl cover is stitched using 6 lbs. bonded polyester black thread. 10 mils top x 4 mils bottom.

Foam: 4-8" high impact polyurethane foam

Custom printing available





INDOOR WALL PANELS

Indoor wall panels by Fieldwallpads.com are designed for safety & durability!

- 7/16" and 3/4" sealed wood backing
- 2" or 3" high-impact foam
- 14 oz. or 18 oz. vinyl covering
- Plain or full color digital print

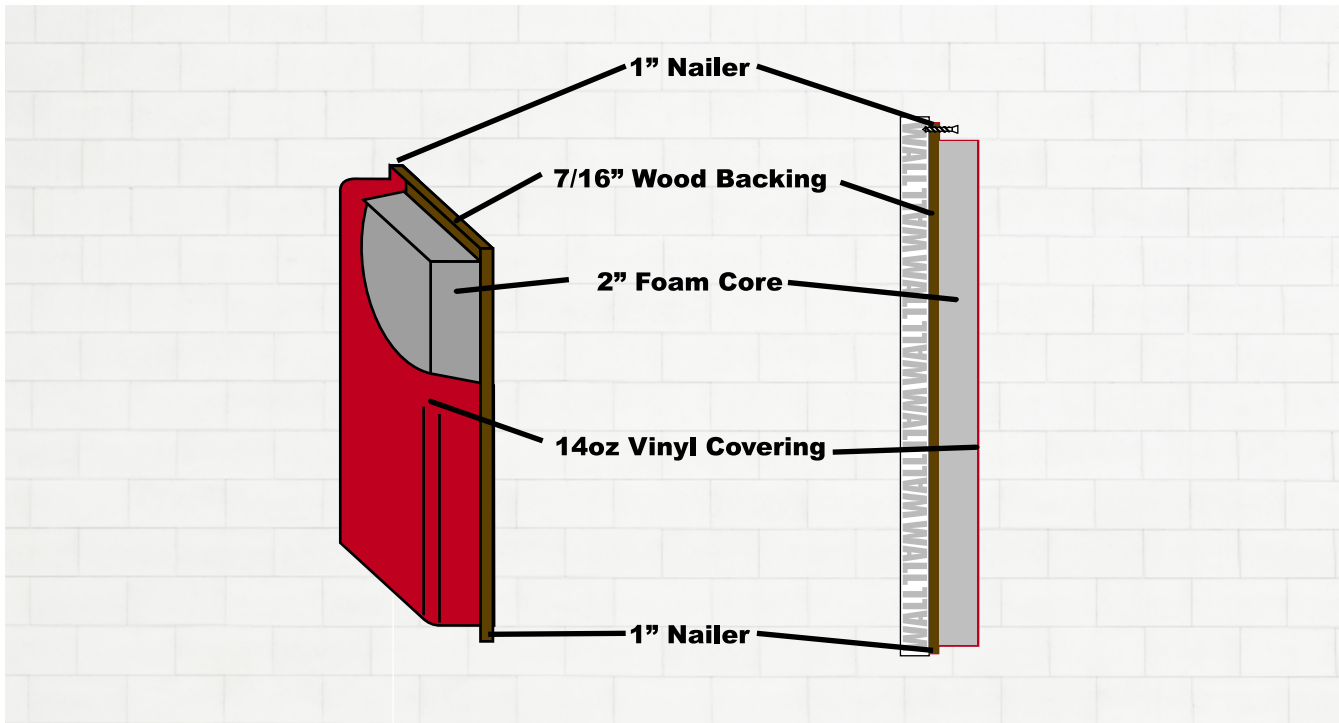




SPECIFICATIONS

PN (2")

2" Foam - 7/16" OSB - Top & Bottom Nailer application



COMPONENTS

BACKING:

7/16" OSB backing

CORE:

2" Open-cell Polyurethane Foam
90 lb. ILD, 1.8 lb/ft³

COVERING:

14 oz. Leather-like laminated vinyl

ATTACHMENT:

Hex Washer Head Concrete Anchors
1/4" x 1.25" to 1.50" (not included)

14 oz. Laminated Vinyl Passes:

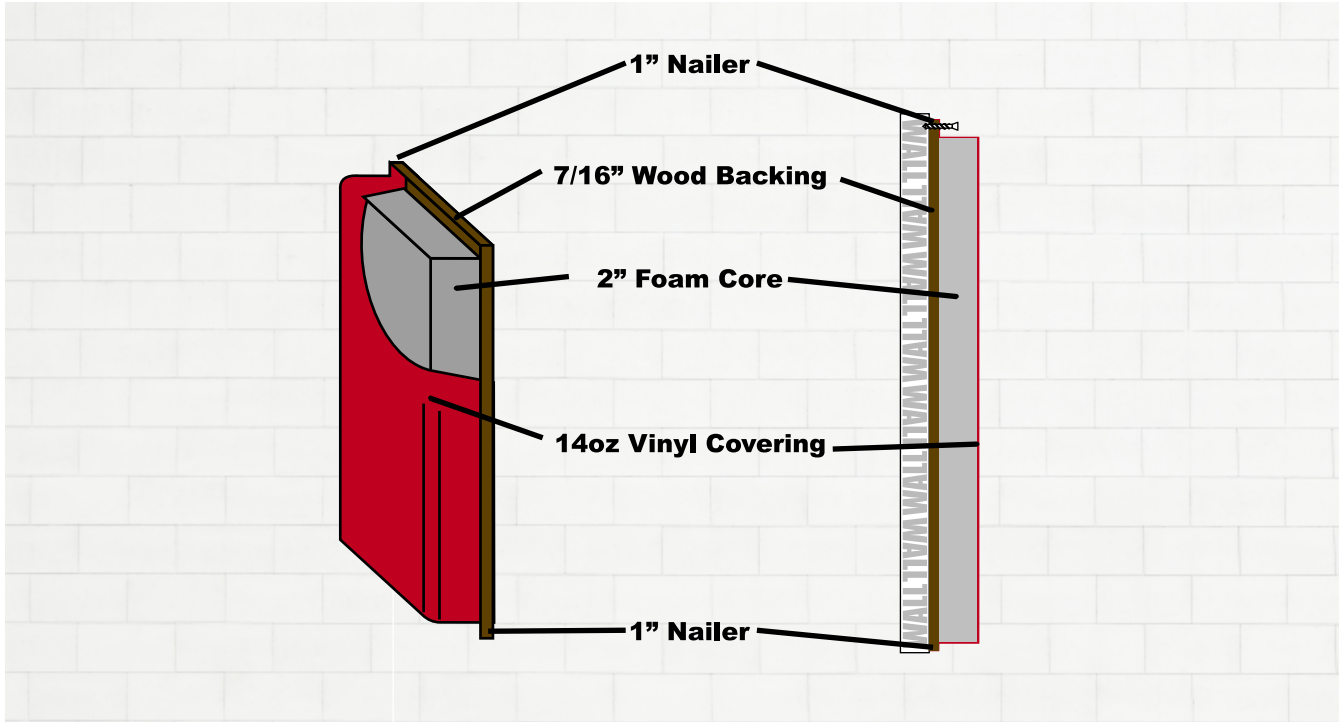
Military specification MILC43006E
(Federal Standard 191-Test Method
5903-2), FMVSS-302, FPA-701 (Small
Scale Test), California State Fire
Marshall (Small Scale), CPAI-84 (Tent
Walls & Tops), FAR .25.853-B2; U.L.94:
94-VMT-0, 1, 2.

Extremely strong and durable
High Tensile and tear strength
Anti-mildew treatments and UV
Pigments for weatherability



SPECIFICATIONS

PN A (2")
2" Foam - 7/16" OSB - Top & Bottom Nailer



Class 'A' Wall Padding

Our flame-retardant padding carries a "Class A" rating in accordance with NFPA-286 test procedures.

Our CR SAFEGUARD fire-resistant wall padding is manufactured utilizing low smoke polychloroprene latex compound. Fire-resistant properties shall not change if exposed to liquids. Cushioning is open-cell and breathable.

With 2" open-cell foam, we use 7/16" OSB backing, sealed with fire retardant paint and the foam is covered with 14 oz. vinyl, enhanced by a leather-like emboss pattern.

COMPONENTS

BACKING:

7/16" OSB backing, sealed with fire retardant paint.

CORE:

2" Open-cell polychloroprene latex compound

COVERING:

14 oz. Leather-like laminated vinyl

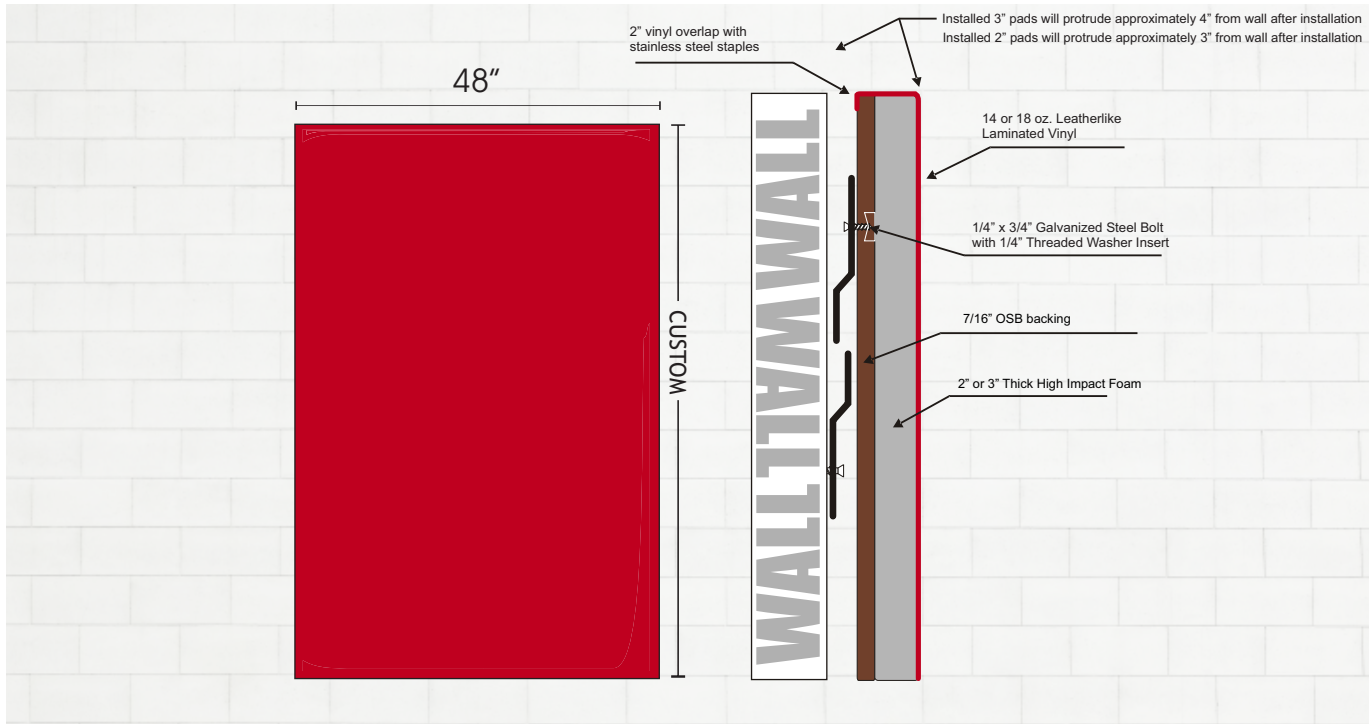
ATTACHMENT:

Hex Washer Head Concrete Anchors
1/4" x 1.25" to 1.50" (not included)



SPECIFICATIONS

PN A
2" or 3" Foam - 7/16" OSB - Z-Clip Applicator



Class 'A' Wall Padding

Our flame-retardant padding carries a "Class A" rating in accordance with NFPA-286 test procedures.

Our CR SAFEGUARD fire-resistant wall padding is manufactured utilizing low smoke polychloroprene latex compound. Fire-resistant properties shall not change if exposed to liquids. Cushioning is open-cell and breathable.

With 2" or 3" open-cell foam, we use 7/16" OSB backing, sealed with fire retardant paint and the foam is covered with 14 or 18 oz. vinyl, enhanced by a leatherlike emboss pattern.

COMPONENTS

BACKING:

7/16" OSB backing, sealed with fire retardant paint.

CORE:

2" or 3" Open-cell polychloroprene latex compound

COVERING:

14 or 18 oz. Leatherlike laminated vinyl

ATTACHMENT:

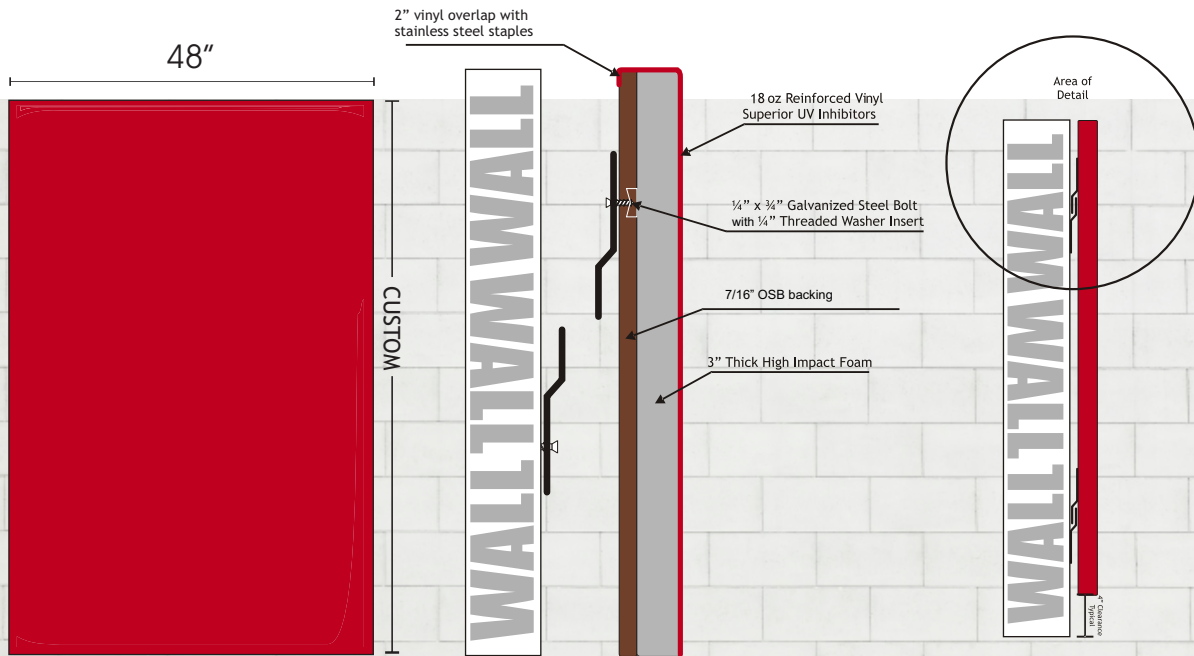
Z-Clip Aluminium extrusion, 2.75" x .124" thickness mounted to panel using 1/4" x 3/4" galvanized bolts screwed into 1/4" washer inserts.



SPECIFICATIONS

FP I (3")

3" Foam - 7/16" OSB - Top & Bottom Z-Clip application



COMPONENTS

BACKING:

7/16" OSB backing

CORE:

3" POLYFOAM COMPOUND

COVERING:

18 oz. coated vinyl, mildew and U.V. resistant

ATTACHMENT:

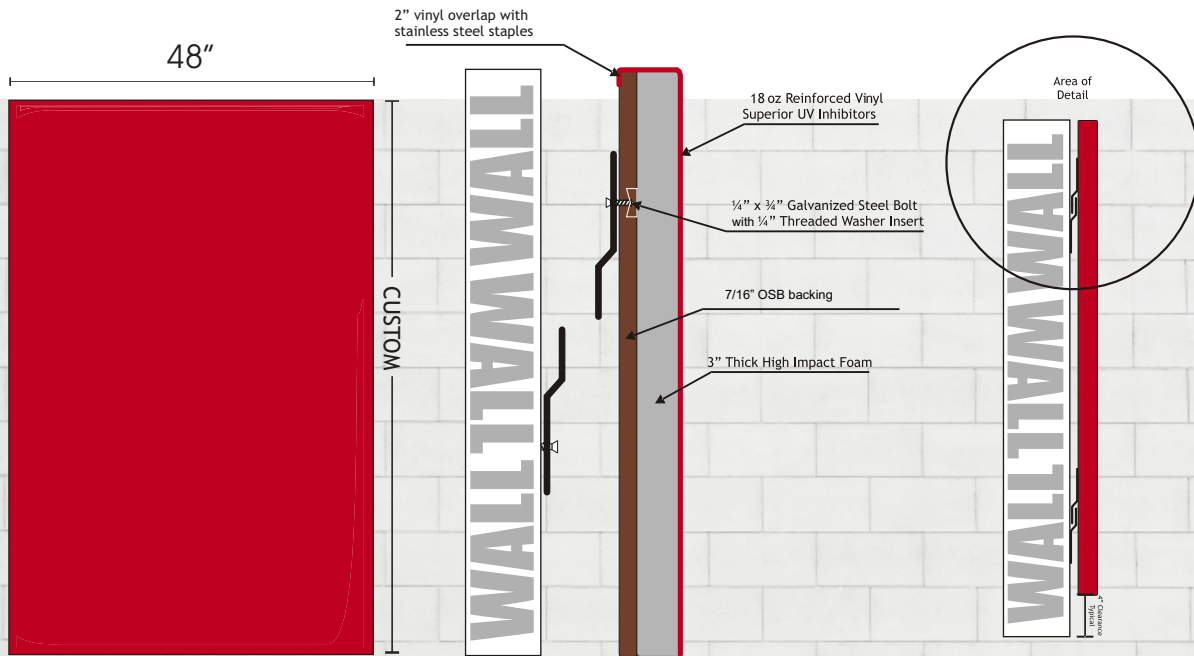
Z-Clip Aluminium extrusion, 2.75" x .124" thickness mounted to panel using 1/4" x 3/4" galvanized bolts screwed into 1/4" washer inserts.



SPECIFICATIONS

FP I-A (3")

3" Foam - 7/16" OSB - Z-Clip Application



Class 'A' Wall Padding

Our flame-retardant padding carries a "Class A" rating in accordance with ASTM E-84 and ASTM 286 test procedures.

Our CR SAFEGUARD fire-resistant wall padding is manufactured utilizing low smoke polychloroprene latex compound. Fire-resistant properties shall not change if exposed to liquids. Cushioning is open-cell and breathable.

With 3" open-cell foam, we use 7/16" OSB backing, sealed on the back and edges with fire retardant paint and the foam is covered with 18 oz. vinyl, enhanced by a leather-like emboss pattern.

COMPONENTS

BACKING:

7/16" OSB backing, sealed with fire retardant paint.

CORE:

3" Open-cell polychloroprene latex compound

COVERING:

18 oz. coated vinyl, mildew and U.V. resistant

ATTACHMENT:

Z-Clip aluminum extrusion, 2.75" x .125" thickness mounted to panel using (3) 1/4" x 3/4" galvanized bolts screwed into 1/4" washer inserts.



FIELDWALLPADS.com

Dealing with stadium designs and details can be a daily challenge for you. No matter how simple or complex your project might be, at FieldWallPads.com our philosophy is: If you can imagine it - we can make it!

Our approach is unique in the stadium padding industry because the entire system that you or we design for your stadium including: All wall padding, fence, custom specialty padding AND print work is manufactured under one roof in our quality controlled factory environment. If your project requires a unique configuration, additional fastening strength, or an innovative product design, FieldWallPads.com experienced team of engineers can help you design it. Once finalized, we'll make the padding system in our factory to your specifications, ready to be installed at the job site.

FieldWallPads.com precision fabrication expertise means that you and your clients are assured superior watertight, protective padding for years to come. FieldWallPads.com offers the best design support in the protective padding industry. Whether you need CAD drawings for a meeting, specifications for a unique project, or an answer to a technical question, we provide the resources you need to get the job done.

Our quotes, including customized artwork concepts, are free and fast! See why thousands of customers choose us as their one-stop-padding-shop for all of their image and safety needs!

